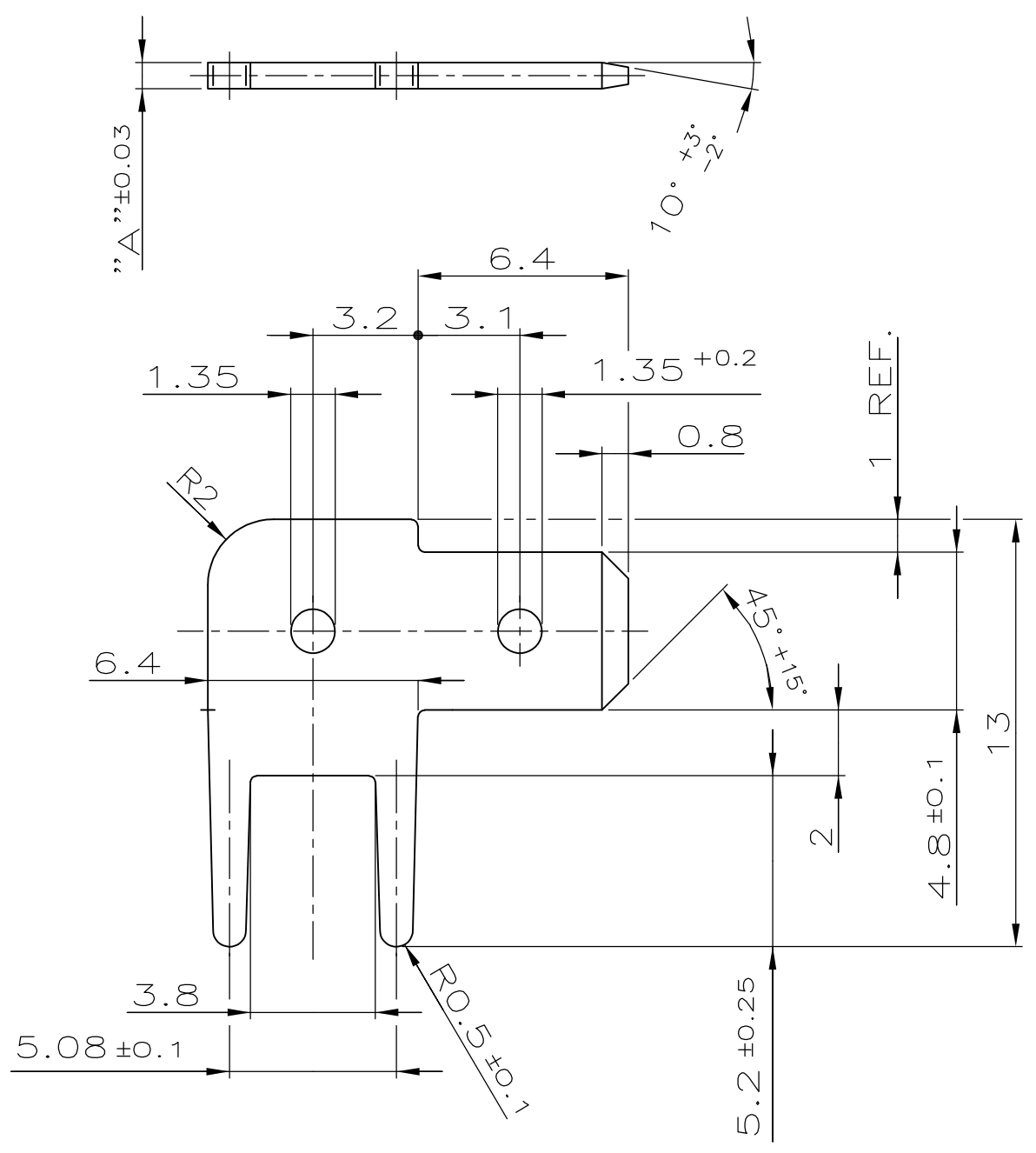


THIS DRAWING IS UNPUBLISHED. RELEASED FOR PUBLICATION  
 © COPYRIGHT - By - ALL RIGHTS RESERVED.

DIN 46247	LOC A1	DIST -	REVISIONS			
	P	LTR	DESCRIPTION	DATE	DWN	APVD
		F3	REVISED PER ECO-11-005150	21MAR11	RK	HMR



- ① MIN. 4.5 μm Sn OVER MIN. 2.5 μm Cu
- ② MIN. 3μm Sn OVER MIN. 0.8μm Ni
- ③ PACKING: MAX. 3000 PIECES  
PACKED INTO CARDBOARD BOX
- ④ RECOMMENDED DIA. FOR PCB: Ø1.4 -0.1
- ⑤ OBSOLETE PARTS: OBSOLETE CIS STREAMLINING PER D.RENAUD/D.SINISI

- ① MIN. 4.5 μm Sn ÜBER MIN. 2.5 μm Cu
- ② MIN. 3μm Sn ÜBER MIN. 0.8μm Ni
- ③ VERPACKUNG: MAX. 3000 TEILE  
IN KARTON VERPACKT
- ④ EMPFOHLENE LEITERPLATTENBOHRUNG: Ø1.4 -0.1

⑤ OBSOLETE	0.8	1-726389-4	②	CuZn
	0.8	1-726389-3	MIN. 2 μm Ni	CuZn
	0.8	1-726389-2	①	CuZn
⑤ OBSOLETE	0.8	1-726389-1	PLAIN BLANK	CuZn
	0.5	726389-3	MIN. 2 μm Ni	CuZn
	0.5	726389-2	①	CuZn
⑤ OBSOLETE	0.5	-726389-1	PLAIN BLANK	CuZn
	"A" DIMENSION MASS	ORDER NO. BESTELL-NR.	SURFACE OBERFLAECHE COLOUR/FARBE	MATERIAL

THIS DRAWING IS A CONTROLLED DOCUMENT.		DWN WEITZEL 28-MAY-85	TE Connectivity		
		CHK PFEIFER 28-MAY-85			
DIMENSIONS: mm		APVD MORITZ 02-JUL-85	NAME FASTON TAB 4.8 FLACHSTECKER 4.8		
		PRODUCT SPEC ACCORDING TO DIN 46244	RESTRICTED TO		
TOLERANCES UNLESS OTHERWISE SPECIFIED:		APPLICATION SPEC	SIZE A3	CAGE CODE 00779	DRAWING NO C-726389
MATERIAL SEE TABLE SIEHE TABELLE		FINISH SEE TABLE SIEHE TABELLE	WEIGHT -	SCALE 5:1	SHEET 1 OF 1
CUSTOMER DRAWING			REV F3		